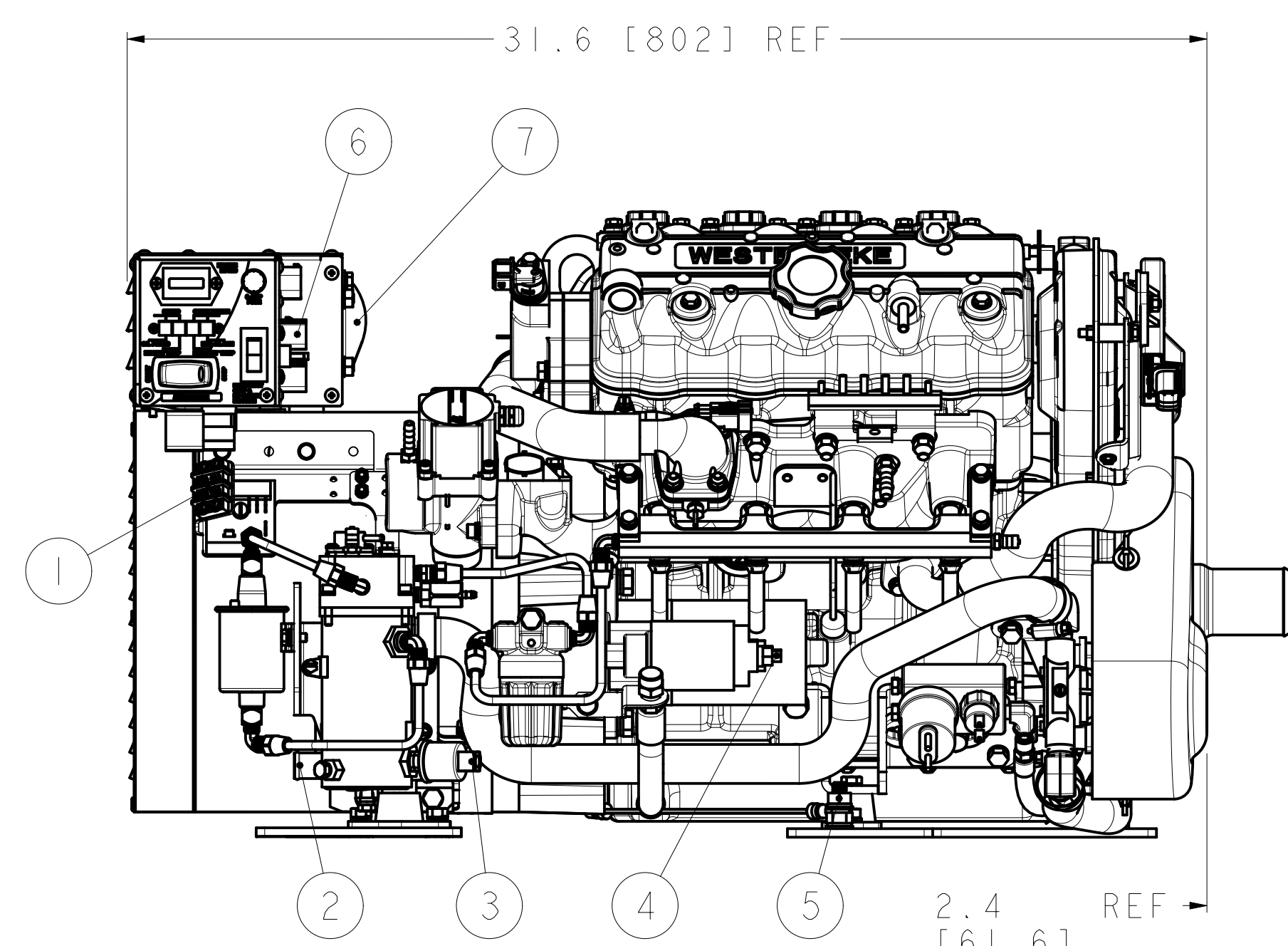
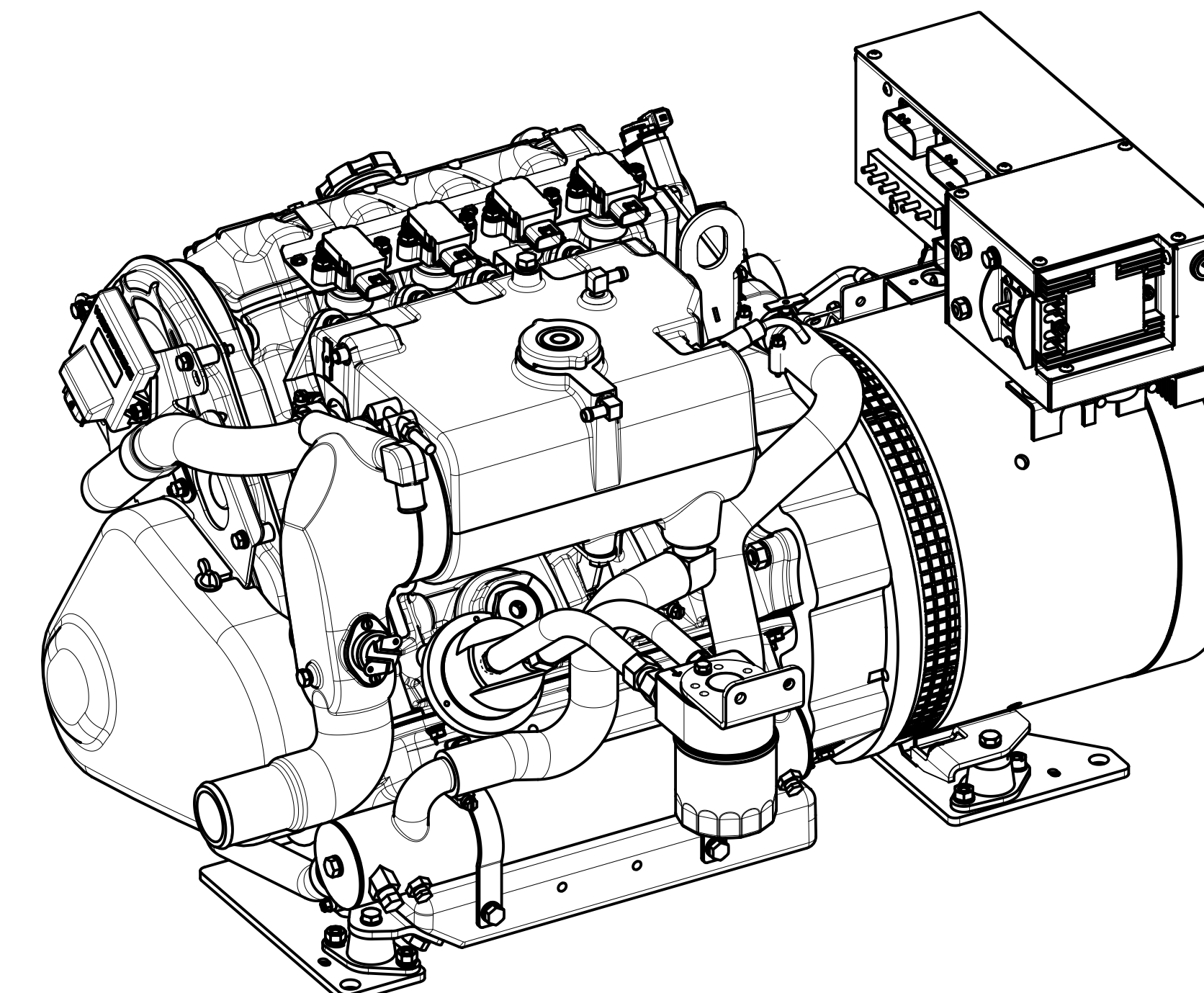
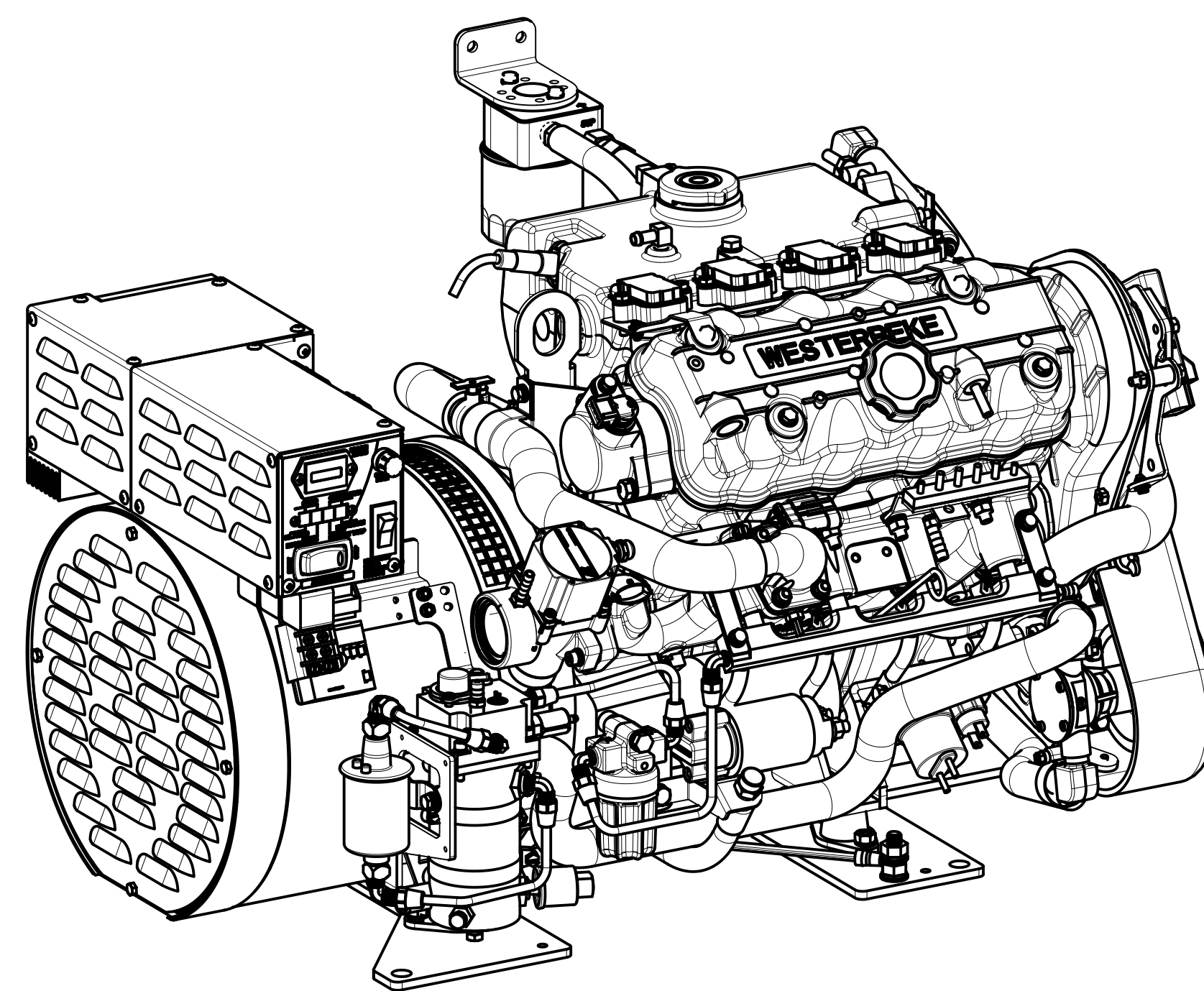
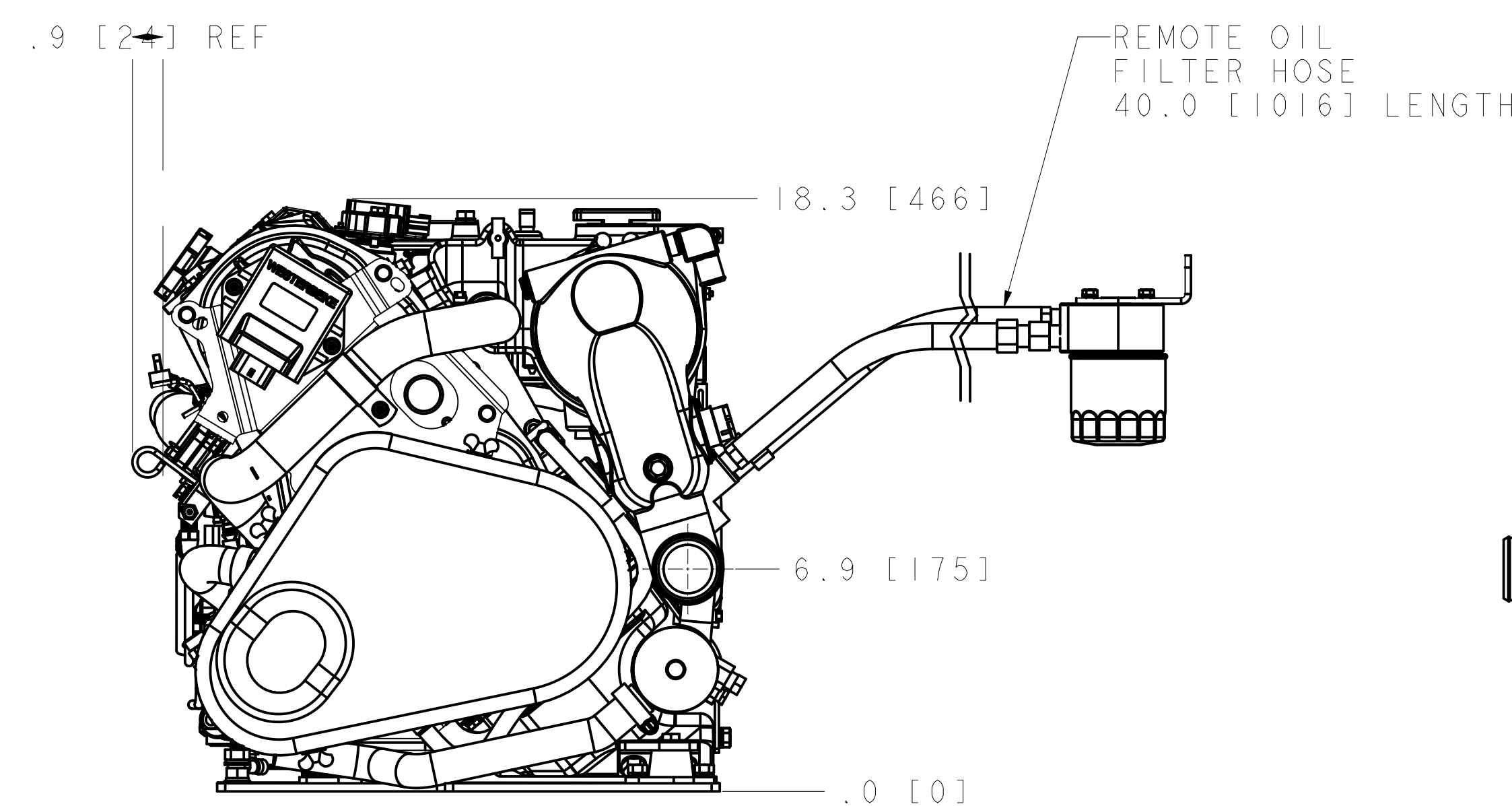


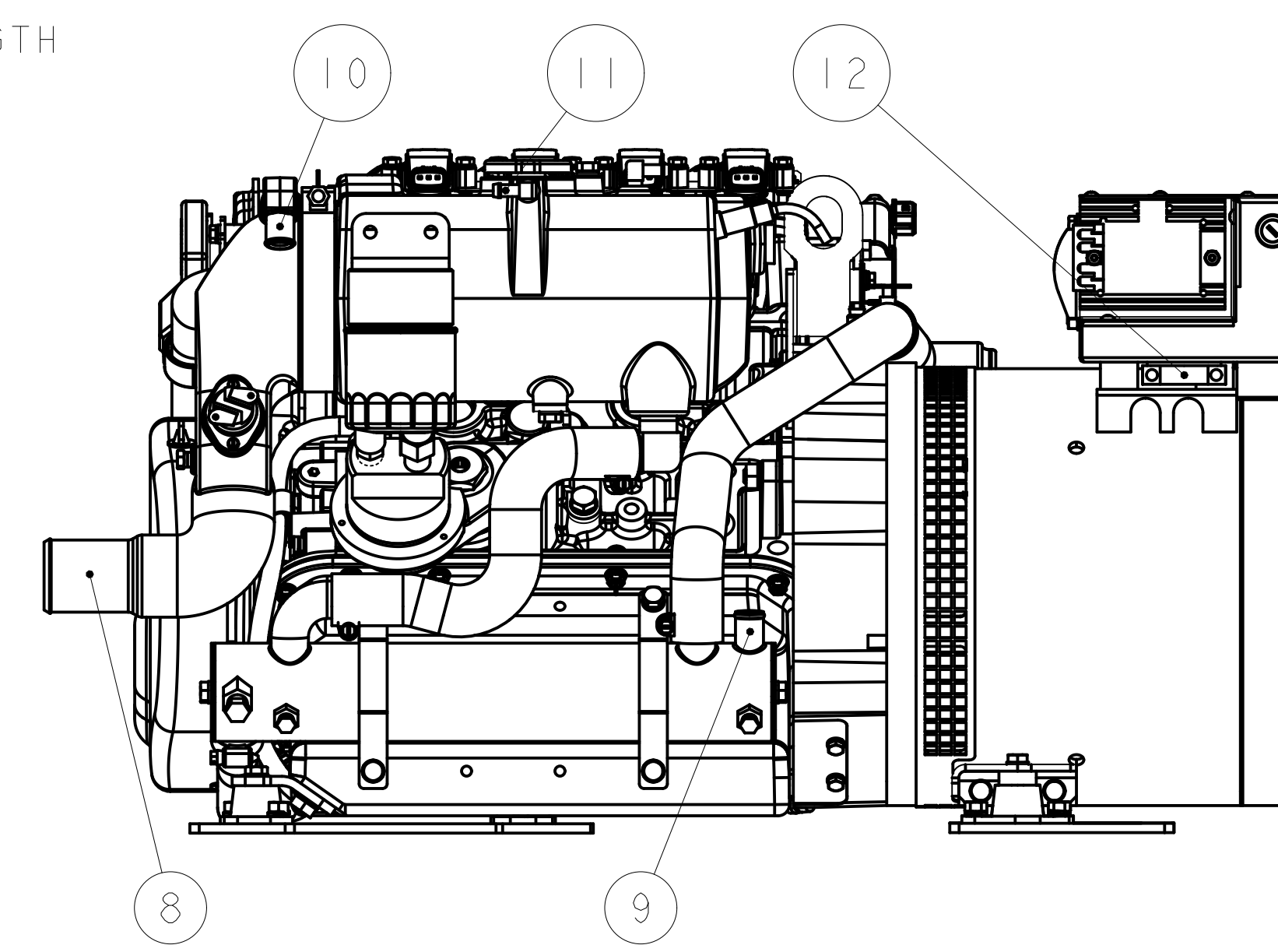
TOP



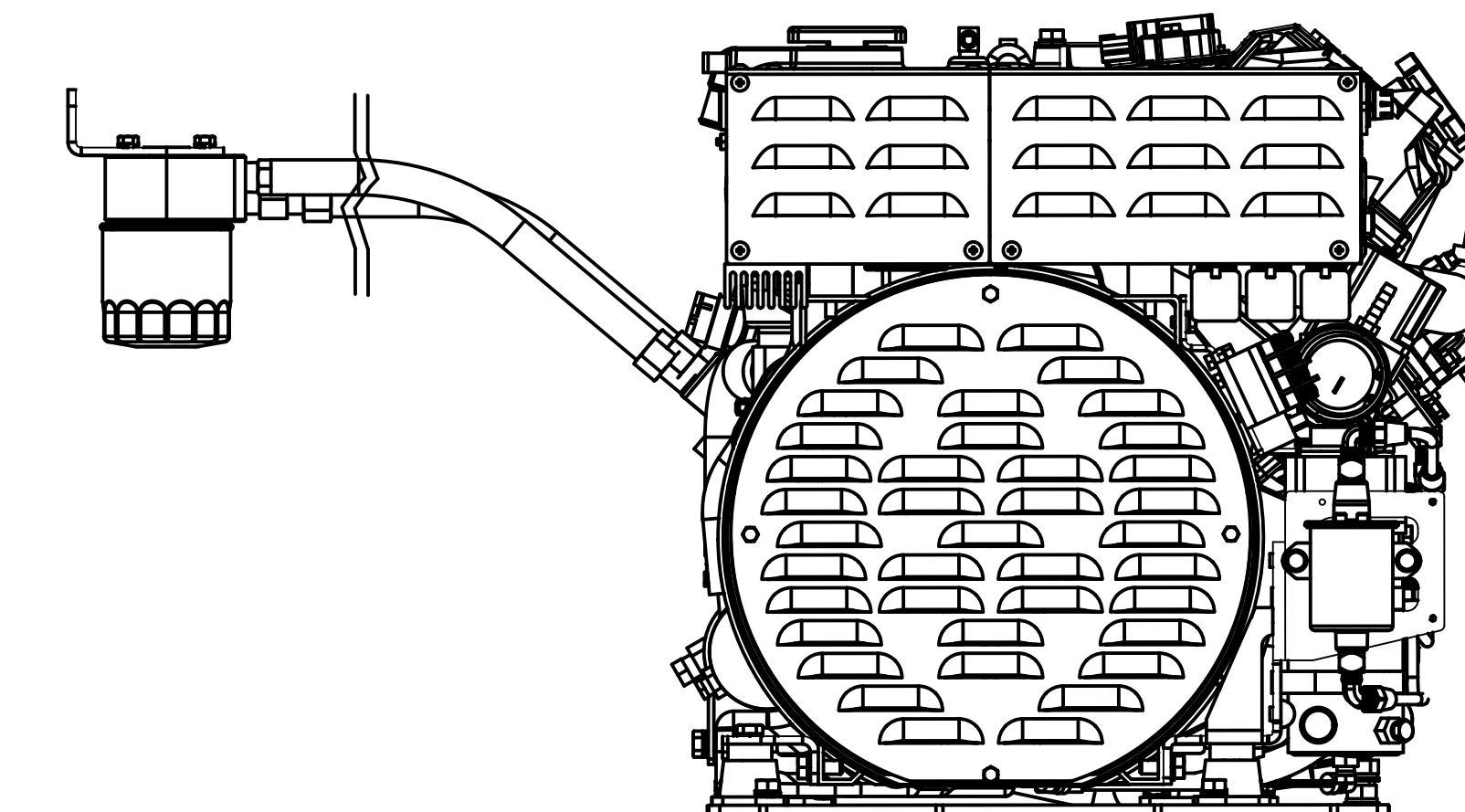
SERVICE SIDE



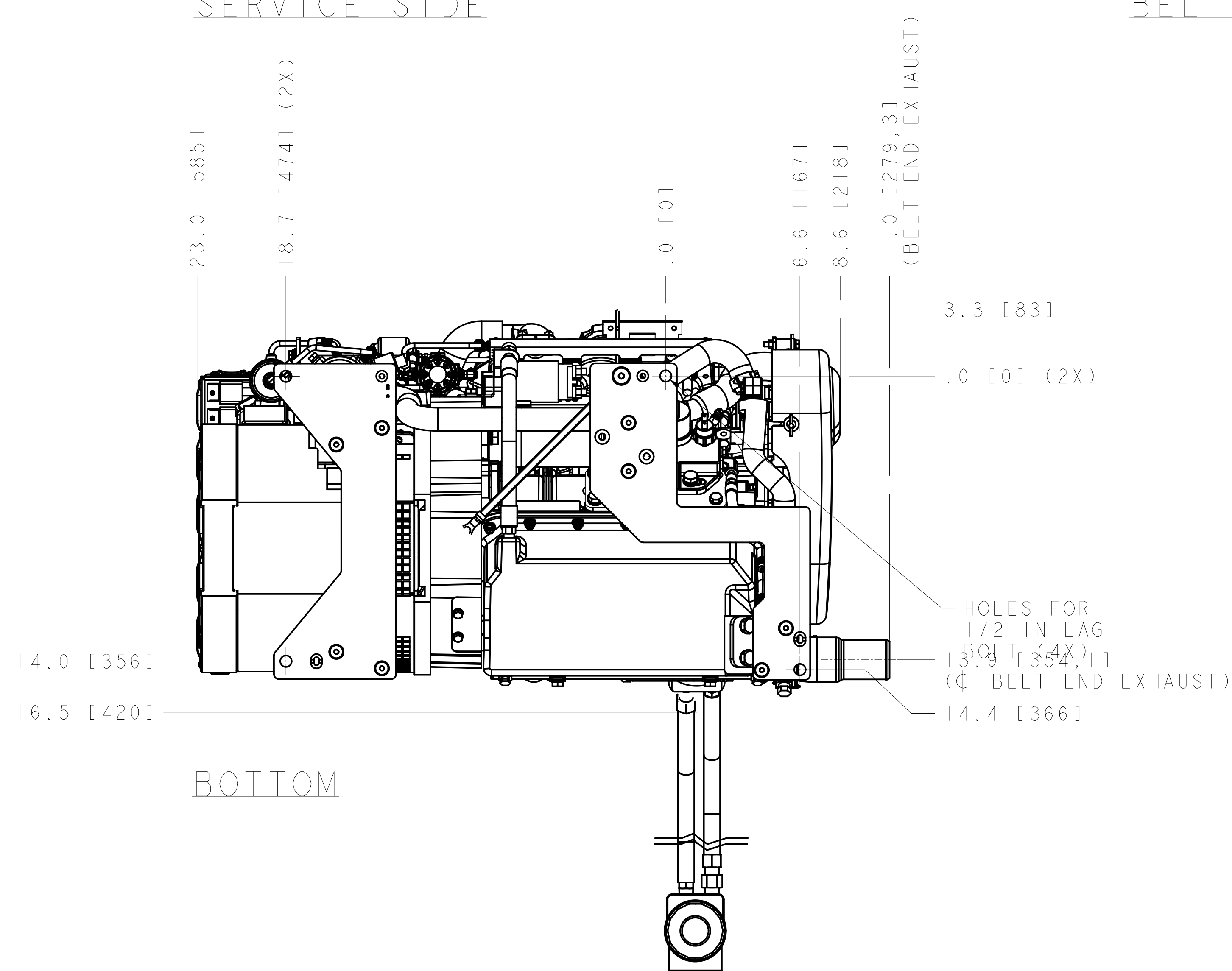
BELT END



NON-SERVICE SIDE



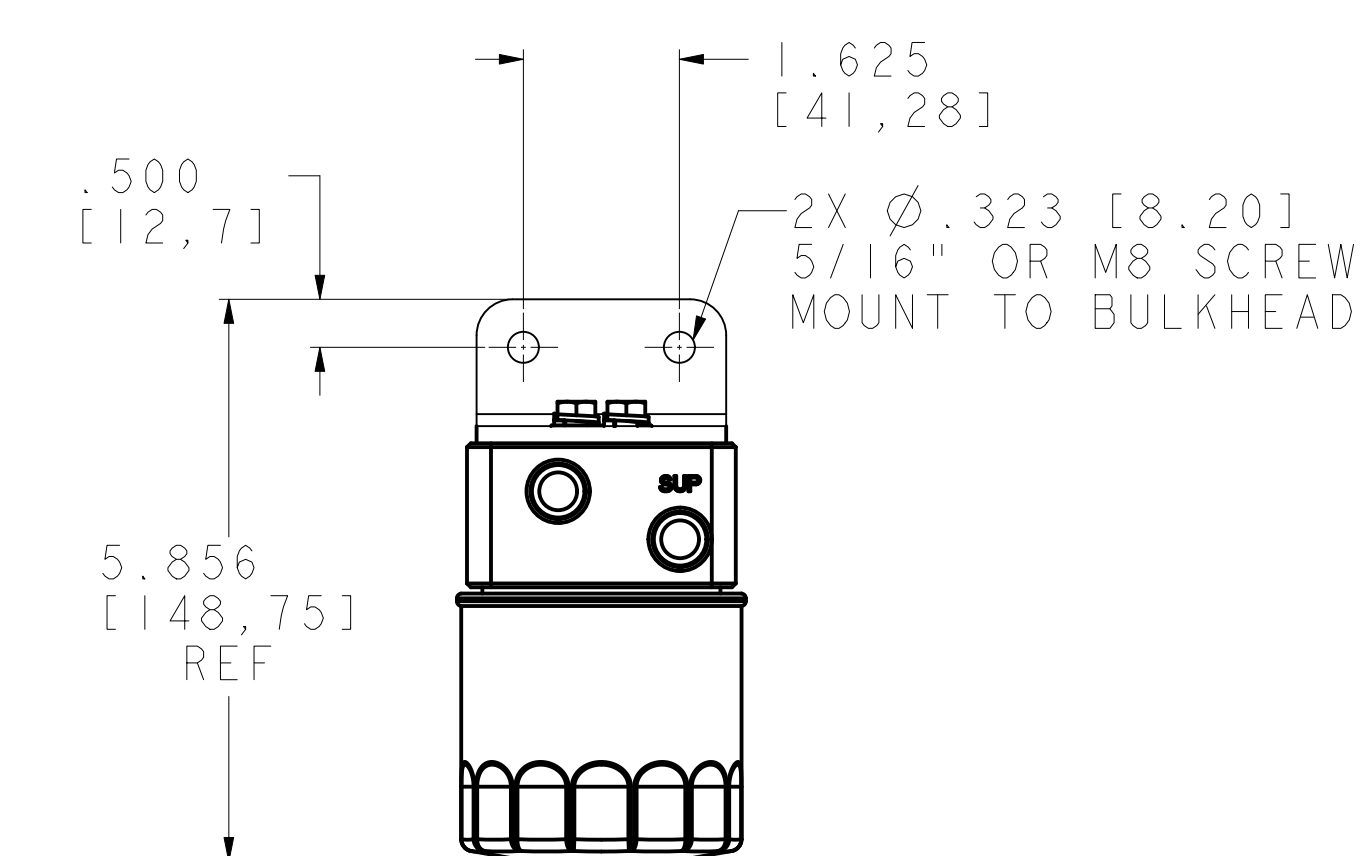
GENERATOR END



BOTTOM

SIDE EXHAUST

ITEM	CONNECTIONS
1	FIRE BOY
2	RAW WATER INLET, REQUIRES 3/4 IN ID HOSE TO CONNECT
3	FUEL LINE, REQUIRES 1/8-27 NPT MALE TO CONNECT
4	BATTERY (POS)
5	BATTERY (NEG)
6	REMOTE PANEL
7	A/C CIRCUIT BREAKER
8	WET EXHAUST, REQUIRES 2 IN ID HOSE TO CONNECT
9	RAW WATER OUTLET (TO SIPHON BREAK), REQUIRES 3/4 IN ID HOSE TO CONNECT
10	RAW WATER INLET (FROM SIPHON BREAK), REQUIRES 3/4 IN ID HOSE TO CONNECT
11	COOLANT OVERFLOW, REQUIRES 5/16 IN ID HOSE TO CONNECT
12	AC POWER



REMOTE OIL FILTER MOUNT

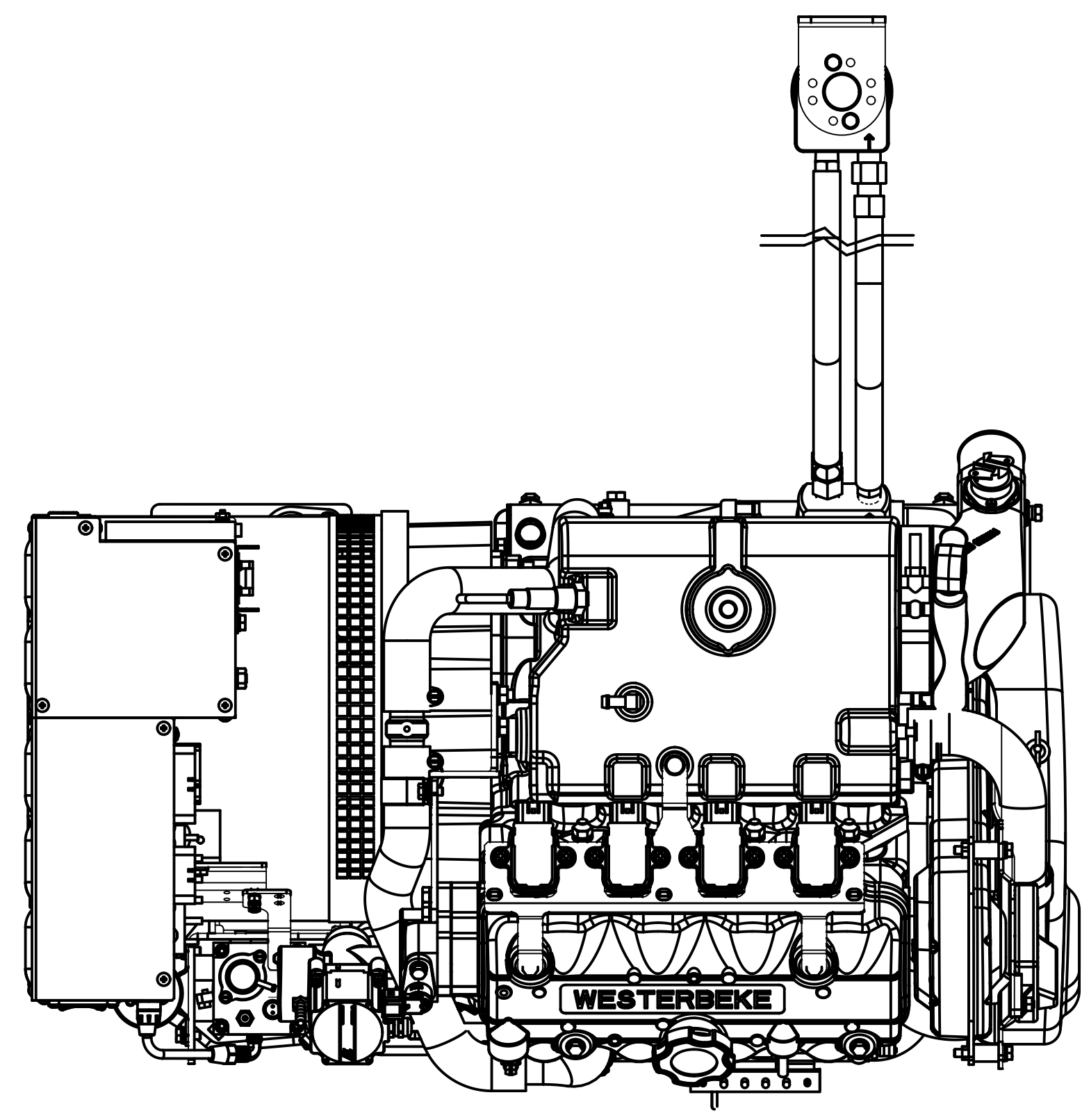
SCALE 0.500

NOTES (UNLESS OTHERWISE SPECIFIED)
 1. UNIT OF DIMENSIONS: INCH [MM]
 2. TOLERANCE: ±.375 [9.5]

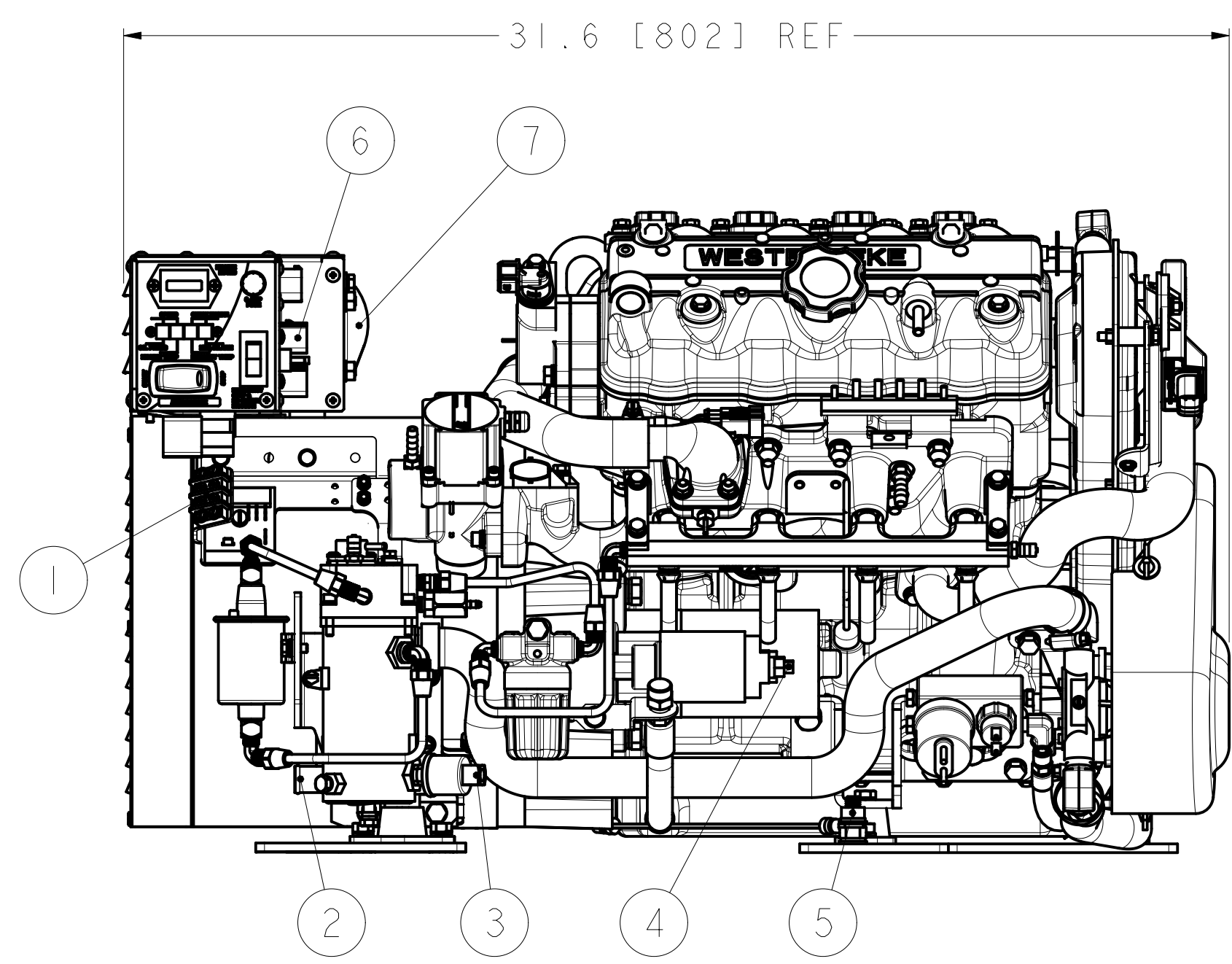
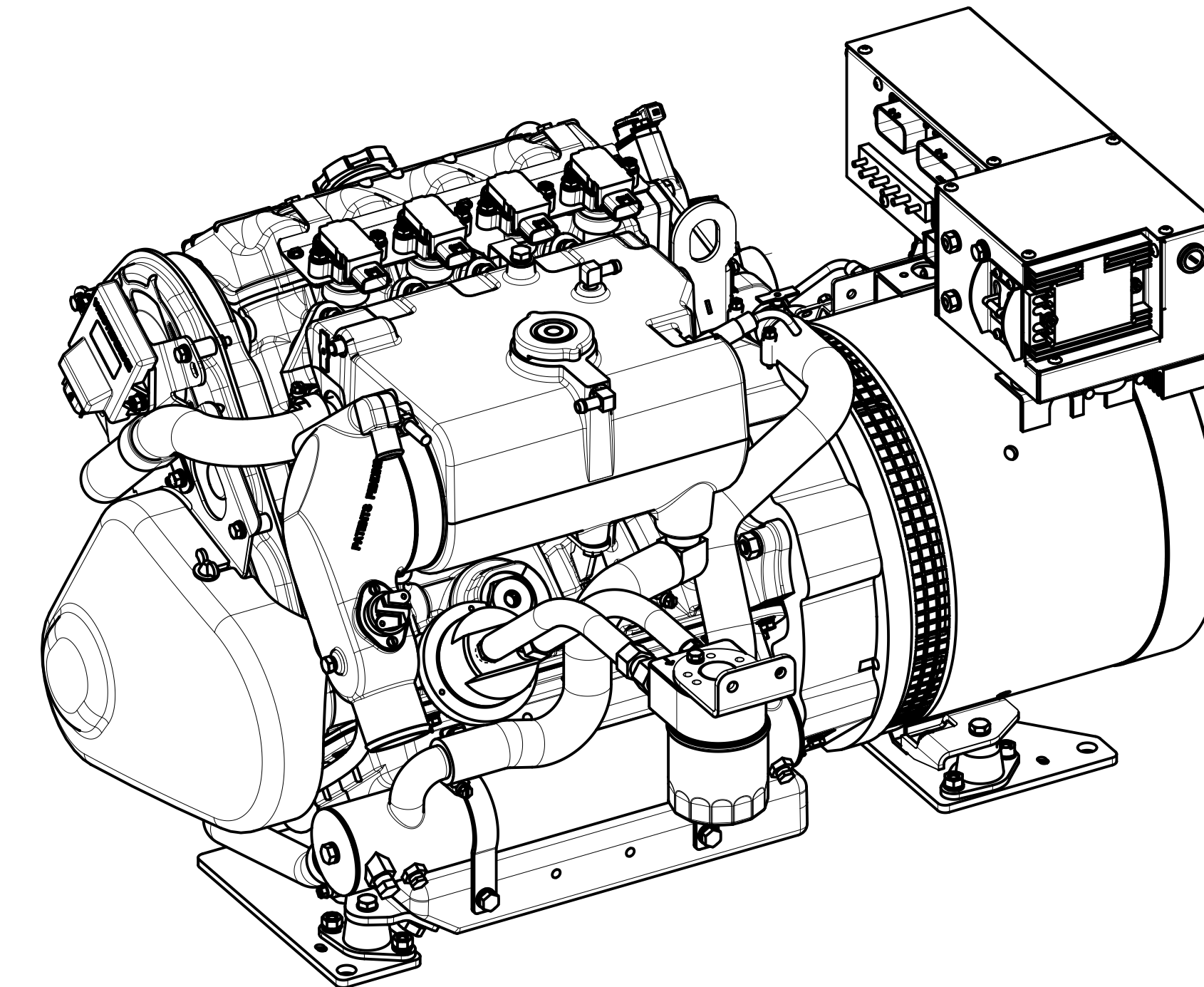
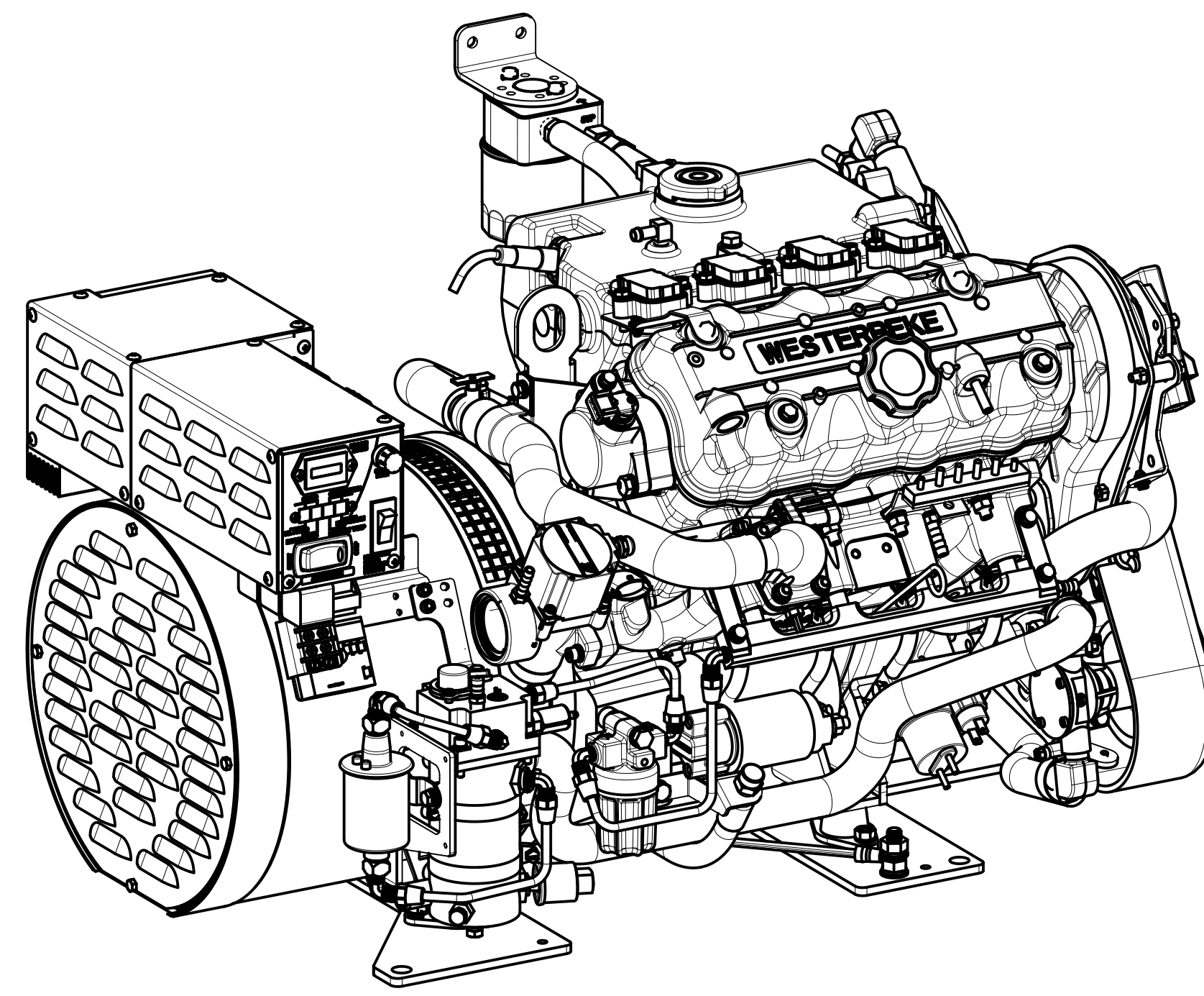
TOLERANCES UNLESS OTHERWISE SPECIFIED		WESTERBEKE Engines & Generators		150 JOHN HANCOCK RD. FAIRHAVEN, MA 01924 (508) 853-1931
INCHES: FRACTIONAL DECIMALS .125 1/8 .250 1/4 .375 3/8 .500 1/2 .625 5/8 .750 3/4 .875 7/8 1.000 1	MILLIMETERS: 3 4 5 6 8 10 12 15 20 25 30 40 50 60 70 80 100	TITLE: DGINSTALL 9.5/7.6 MCGA DRAWN BY: EP DATE: 03/19/2024 SCALE: 0.250 SHEET: 1 OF 2	DATE CREATED: 03/19/2024 MATERIAL: ALUMINUM DRAWING NUMBER: 58216 REV: -	APPROVED BY: [Signature] DATE: [Date] SCALE: 0.250 SHEET: 1 OF 2

THIS DRAWING IS PROPRIETARY TO WESTERBEKE CORP. AND MAY NOT BE REPRODUCED OR COPIED WITHOUT A THIRD PARTY WITHOUT EXPRESS WRITTEN PERMISSION.

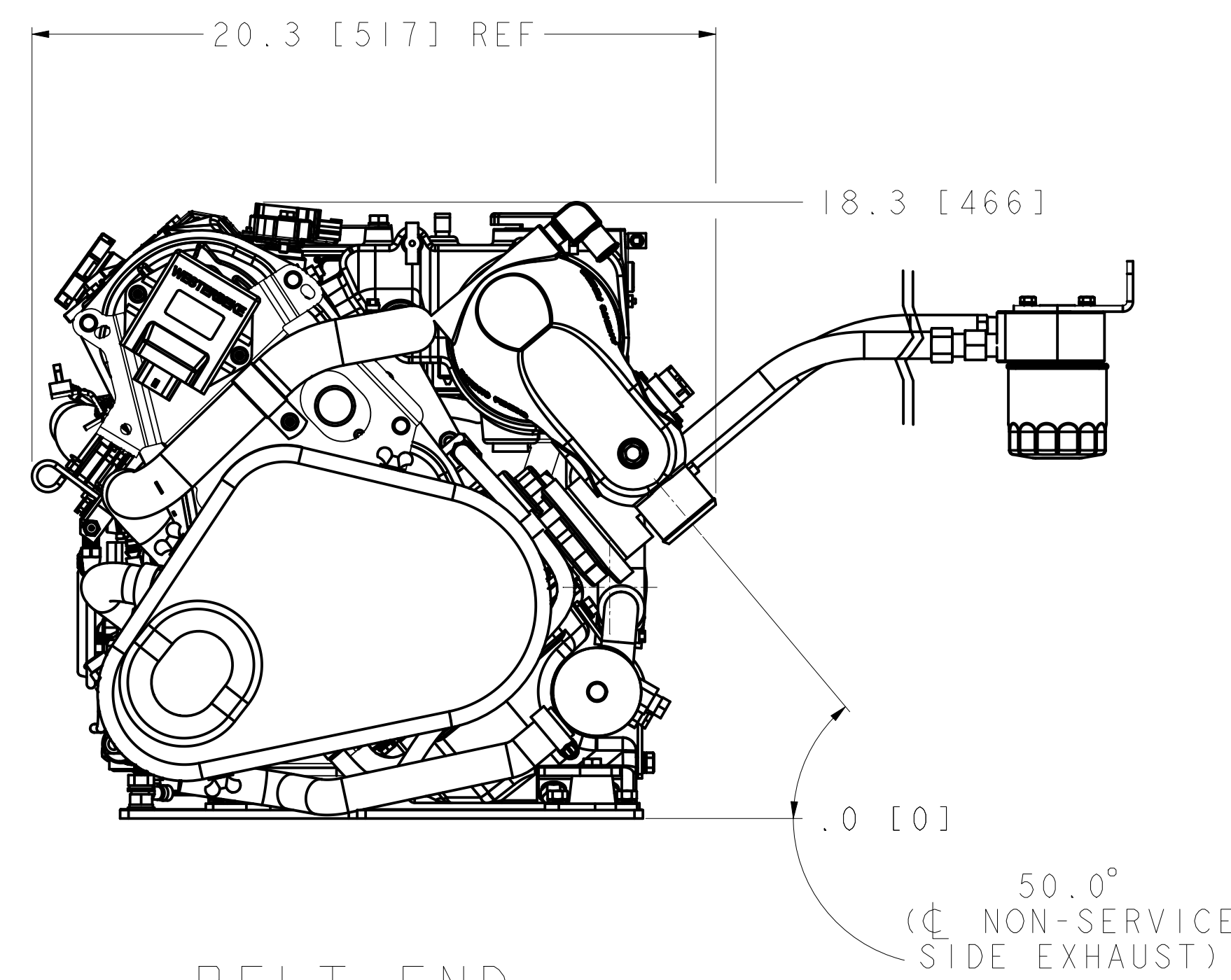
THIRD ANGLE PROJECTION



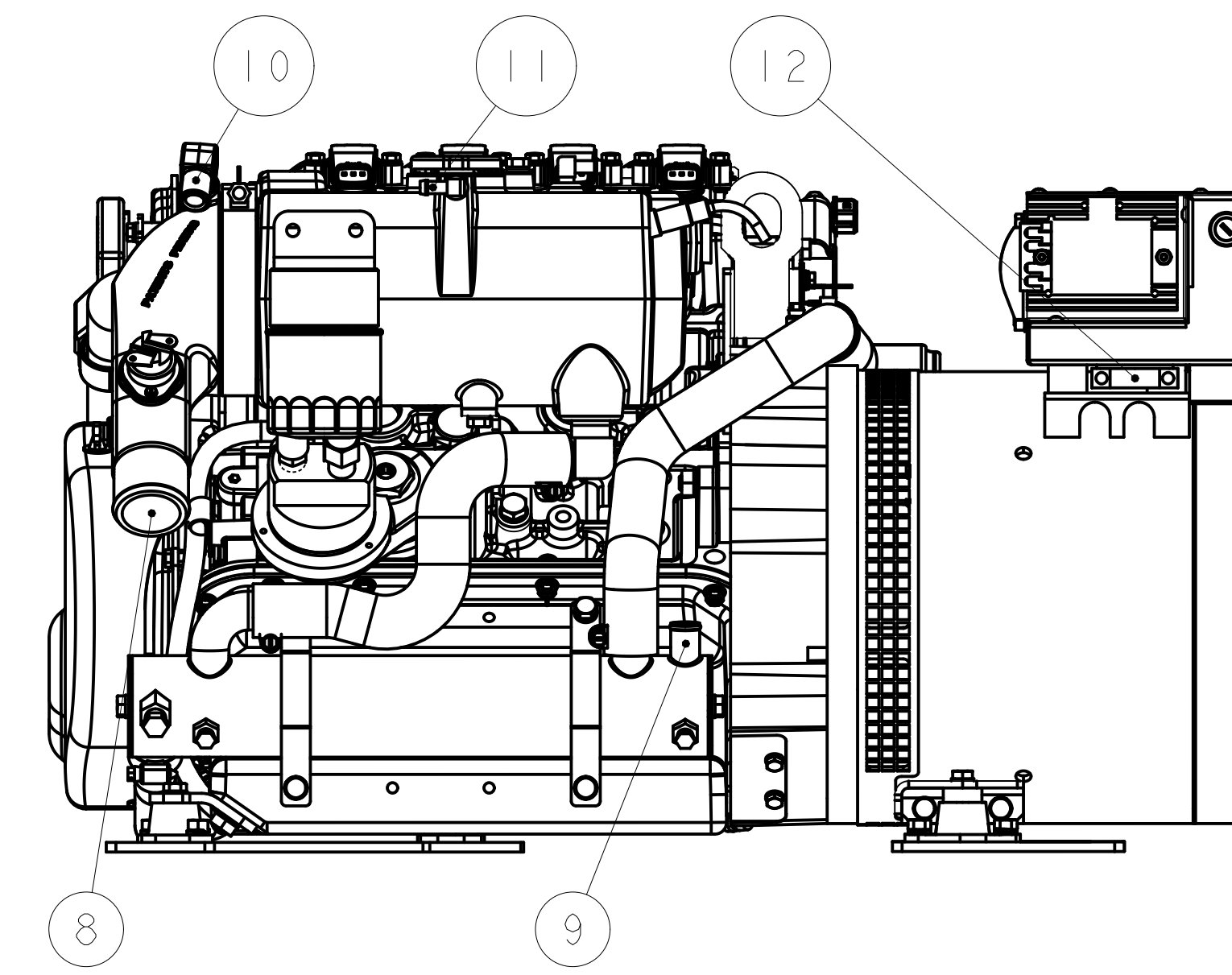
TOP



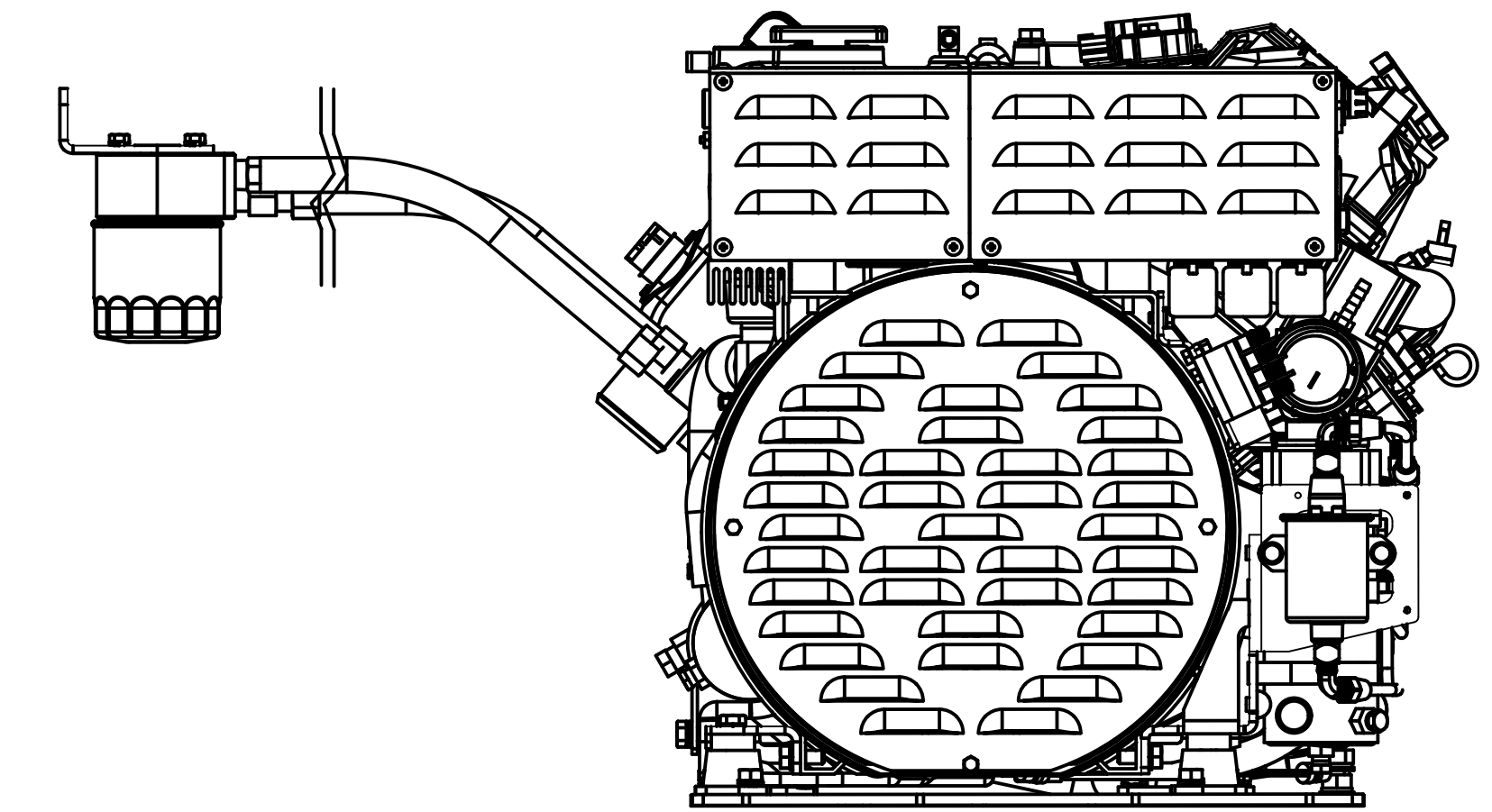
SERVICE SIDE



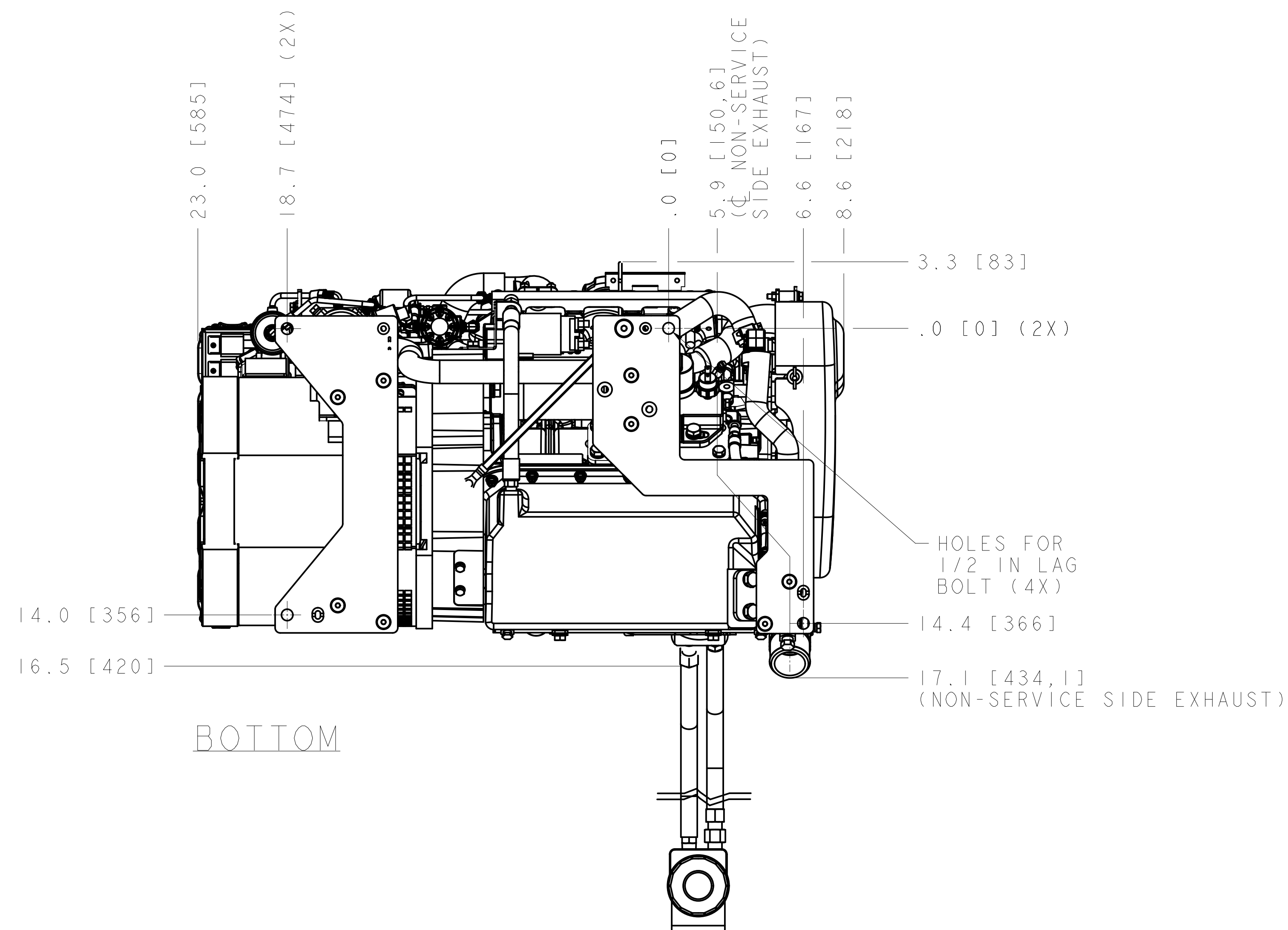
BELT END



NON-SERVICE SIDE



GENERATOR END



BOTTOM

REAR EXHAUST

ITEM	CONNECTIONS
1	FIRE BOY
2	RAW WATER INLET, REQUIRES 3/4 IN ID HOSE TO CONNECT
3	FUEL LINE, REQUIRES 1/8-27 NPT MALE TO CONNECT
4	BATTERY (POS)
5	BATTERY (NEG)
6	REMOTE PANEL
7	A/C CIRCUIT BREAKER
8	WET EXHAUST, REQUIRES 2 IN ID HOSE TO CONNECT
9	RAW WATER OUTLET (TO SIPHON BREAK), REQUIRES 3/4 IN ID HOSE TO CONNECT
10	RAW WATER INLET (FROM SIPHON BREAK), REQUIRES 3/4 IN ID HOSE TO CONNECT
11	COOLANT OVERFLOW, REQUIRES 5/16 IN ID HOSE TO CONNECT
12	AC POWER

NOTES (UNLESS OTHERWISE SPECIFIED)
 1. UNIT OF DIMENSIONS: INCH [MM]
 2. TOLERANCE: ±.375 [9.5]

TOLERANCES UNLESS OTHERWISE SPECIFIED DECIMALS - ALL DIMENSIONS FRACTIONS - ALL DIMENSIONS		WESTERBEKE Engines & Generators	150 JOHN HANCOCK RD. FAIRHAVEN, MA 01924 (508) 853-1671
INCHES: .0015 .0025 .0050 .0100 .0150 .0300 .0600 .1200 .2500 .5000 1.0000 2.0000 5.0000 10.0000 25.0000 50.0000 100.0000 250.0000 500.0000 1000.0000	MILLIMETERS: .0254 .0508 .1270 .2540 .5080 1.2700 2.5400 5.0800 12.7000 25.4000 50.8000 127.0000 254.0000 508.0000 1270.0000 2540.0000 5080.0000 12700.0000		
TITLE: DGINSTALL 9.5/7.6 MCGA DRAWN BY: EP SCALE: 0.250 DATE: 03/19/2024 APPROVED BY: [Signature] DATE: [Signature] SHEET: 2 OF 2 DRAWING NUMBER: 58216 REV: -		THIS DRAWING IS PROPRIETARY TO WESTERBEKE CORP. AND MAY NOT BE REPRODUCED AND/OR COPIED WITH A THIRD PARTY WITHOUT EXPRESS WRITTEN PERMISSION. THREE ANGLE PRODUCTION	